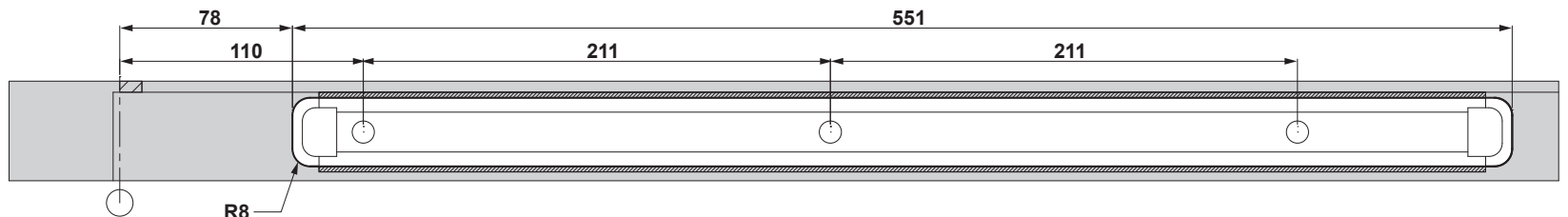
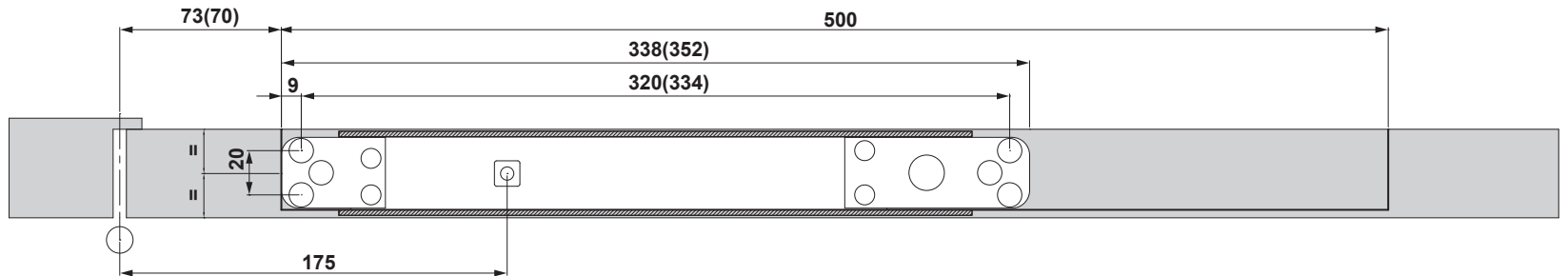
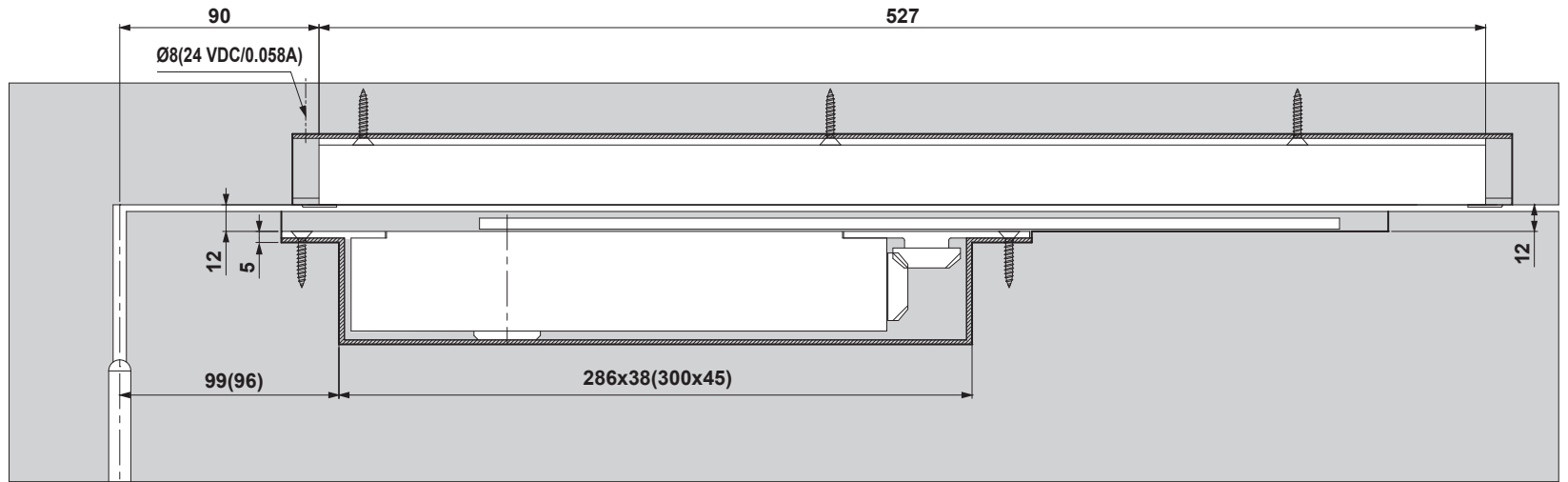
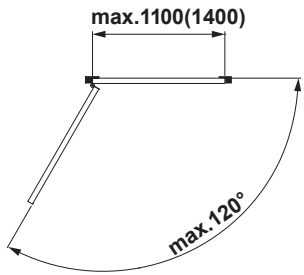
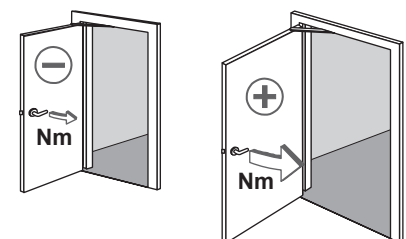
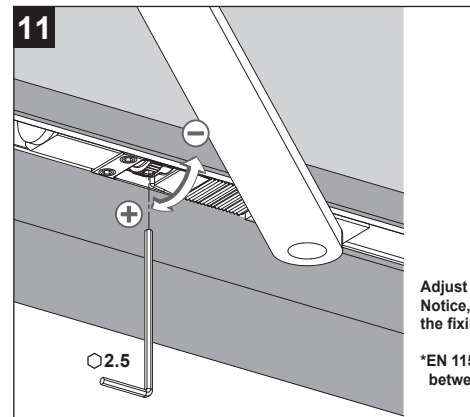
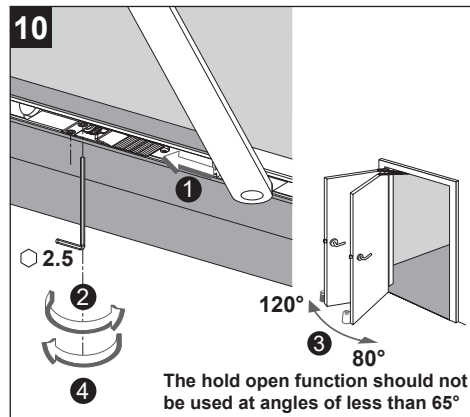
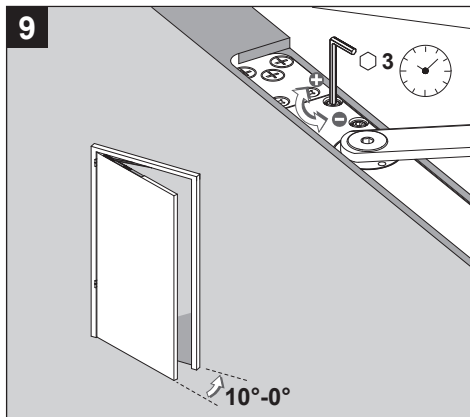
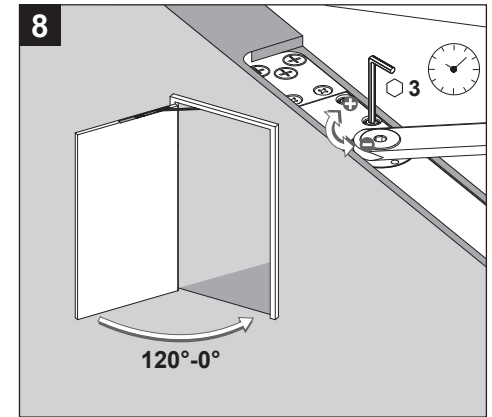
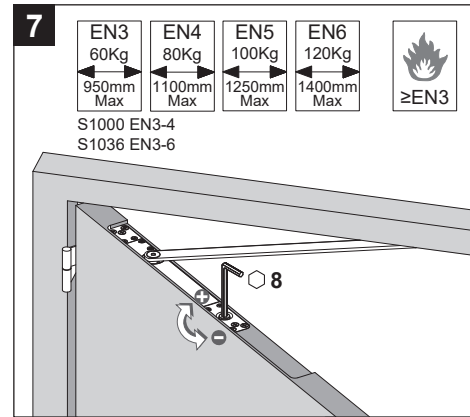
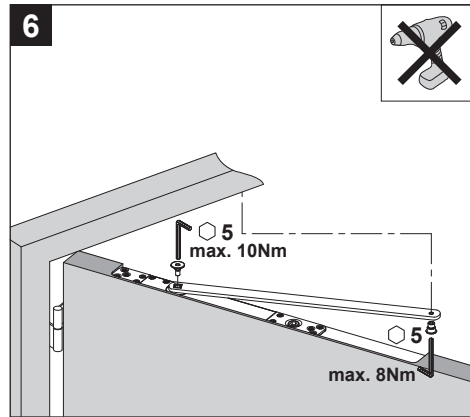
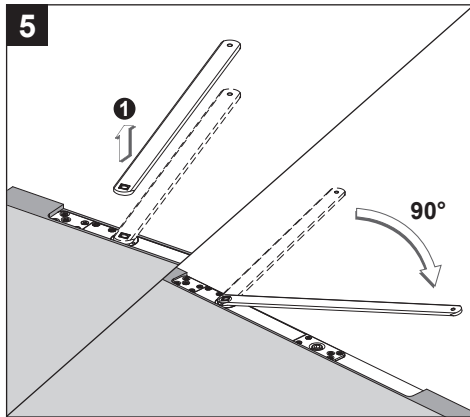
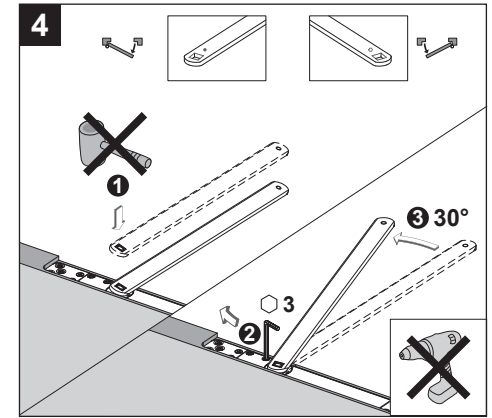
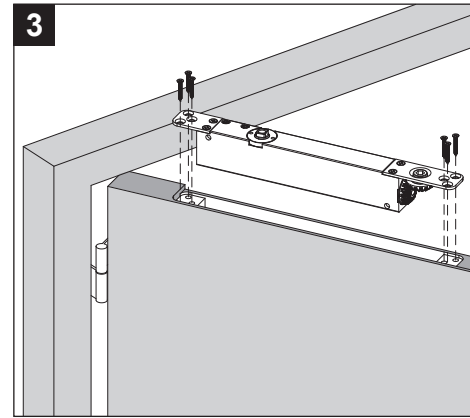
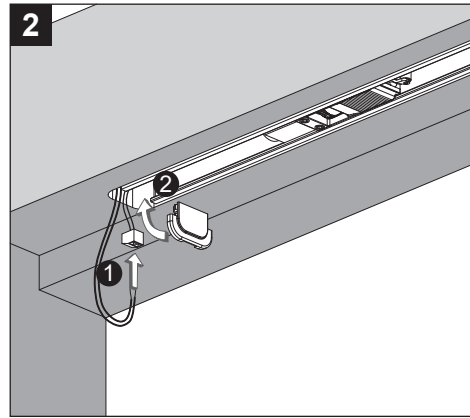
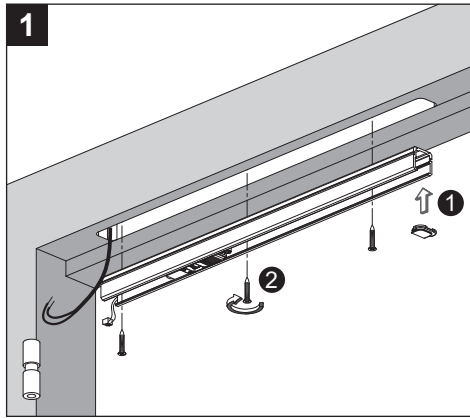


S1000(S1036)



 www.synergyhardware.co.uk		 2812	 1121
S1000.EHO		CPR AE5019	CPR-UK AE7837
BS EN1155:1997+A1:2002			20
3	5	4	3
1	1	1	3

 www.synergyhardware.co.uk		 2812	 1121
S1036.EHO		CPR AE5019	CPR-UK AE7837
BS EN1155:1997+A1:2002			20
3	5	6	3
1	1	1	3



Adjust the pull-off force to suit the door width and size of door closer. Notice, if the pull-off force is set too high, it may damage the hinges and the fixing of the door closer system.

*EN 1155 states that the release torque at 90° door opening angle should be between 40 and 120 Nm.